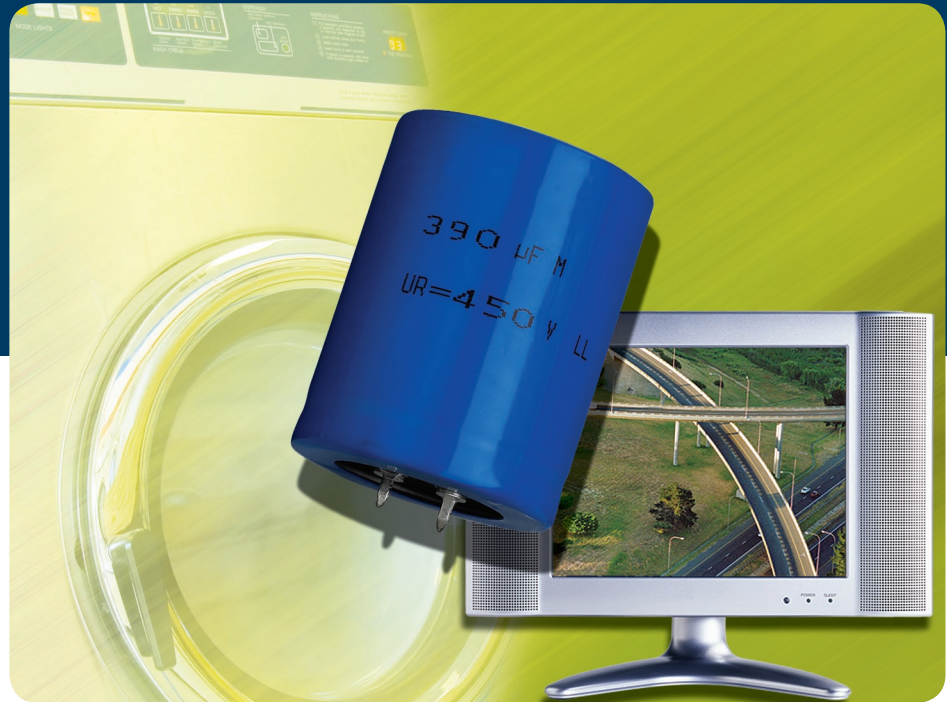




ALUMINUM CAPACITORS

197 PGP-SI



Aluminum Electrolytic Capacitor

High Voltage Snap-In Type

KEY BENEFITS

- Temperature rated: $-25\text{ }^{\circ}\text{C}$ to $+85\text{ }^{\circ}\text{C}$
- Useful life at $85\text{ }^{\circ}\text{C}$ and I_R applied: 5000 hours
- Case sizes: 22 mm x 25 mm to 35 mm x 50 mm
- Capacitance values: $56\text{ }\mu\text{F}$ to $2200\text{ }\mu\text{F}$ (tolerance: $\pm 20\%$)
- Rated voltages: 160 V, 200 V, 250 V, 400 V, 450 V

APPLICATIONS

- On-board power supplies
- Power supply modules
- White goods

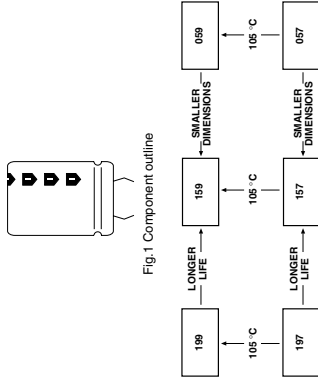
Aluminum Capacitors Power General Purpose Snap-In



FEATURES

- Polarized aluminum electrolytic capacitors, non-solid electrolyte
- Large types, very small dimensions, cylindrical aluminum case insulated with a blue sleeve
- Useful life: 5000 hours at 85 °C

Fig.1 Component outline



DESCRIPTION	VALUE
Nominal case size (∅ D × L in mm)	22 × 25 to 35 × 50
Rated capacitance range (E6/E12 series), C _R	56 to 2200 µF
Tolerance on C _R	± 20 %
Rated voltage range, U _R	160 V; 200 V; 250 V; 400 V; 450 V
Category temperature range	- 25 to + 85 °C
Useful life at 85 °C	5000 hours
Useful life at 40 °C and 1.4 × I _n applied	9000 hours
Shelf life at 0 V, 85 °C	1000 hours
Based on sectional specification	IEC 60384-4/F1/EN130300/W of JIS C5141

APPLICATIONS

- Consumer electronics
- Whitegood motor control
- Electronic drives
- smps/ups

MARKING

The capacitors are marked (where possible) with the following information:

- Rated capacitance (in µF)
- Tolerance on rated capacitance, code letter in accordance with IEC 60062 (M for ± 20 %)
- Rated voltage (in V)
- Date code
- Name of manufacturer
- '-' sign to identify the negative terminal, visible from the top and side of the capacitor
- Code number (last 8 digits)
- Maximum operating temperature

SELECTION CHART FOR C_R, U_R AND RELEVANT NOMINAL CASE SIZES (∅ D × L in mm)

C _R (µF)	U _R (V)			
	160	200	250	450
330	22 × 25	22 × 30	25 × 50	30 × 50
		25 × 25	30 × 25	35 × 40
390	22 × 30	22 × 30	30 × 45	30 × 50
		25 × 25	25 × 35	35 × 50
470	22 × 30	22 × 35	30 × 50	35 × 50
		25 × 25	25 × 30	
		30 × 25	30 × 30	
560	25 × 25	25 × 35	25 × 40	
		30 × 25	30 × 30	
680	25 × 30	25 × 40	30 × 35	
		30 × 25	30 × 30	
820	25 × 35	30 × 35	30 × 40	
		30 × 40	30 × 40	
1000	25 × 40	30 × 30	30 × 50	
		35 × 35	35 × 40	
1200	30 × 30	30 × 35	35 × 50	
		35 × 30	35 × 35	
1500	30 × 50	35 × 50	35 × 50	
1800	35 × 40	35 × 50	35 × 50	
2200	35 × 50	35 × 50	35 × 50	

DIMENSIONS in millimeters AND AVAILABLE FORMS

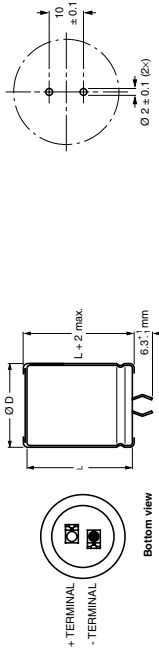


Fig.3 Mounting hole diagram

Table 1

DIMENSIONS in millimeters, MASS AND PACKAGING QUANTITIES

NOMINAL CASE SIZE ∅ D × L	∅ D _{max}	L _{max}	MASS (g)	PACKAGING QUANTITIES	CARDBOARD BOX DIMENSIONS L × W × H
22 × 25	22.5	25.5	≈ 12	216	280 × 240 × 140
22 × 30	22.5	30.5	≈ 16	216	280 × 240 × 140
22 × 35	22.5	35.5	≈ 20	144	280 × 240 × 140
22 × 40	22.5	40.5	≈ 23	144	280 × 240 × 140
22 × 45	22.5	45.5	≈ 26	144	280 × 240 × 140
22 × 50	22.5	50.5	≈ 29	72	280 × 240 × 140
25 × 25	25.5	25.5	≈ 20	216	280 × 240 × 140
25 × 30	25.5	32.0	≈ 22	216	280 × 240 × 140
25 × 35	25.5	35.5	≈ 24	144	280 × 240 × 140
25 × 40	25.5	40.5	≈ 27	144	280 × 240 × 140
25 × 45	25.5	45.5	≈ 32	144	280 × 240 × 140
25 × 50	25.5	50.5	≈ 35	72	280 × 240 × 140
30 × 30	30.5	32.5	≈ 30	168	280 × 240 × 140
30 × 35	30.5	37.5	≈ 35	112	280 × 240 × 140
30 × 40	30.5	41.5	≈ 40	112	280 × 240 × 140
30 × 45	30.5	46.5	≈ 45	112	280 × 240 × 140
30 × 50	30.5	51.5	≈ 50	112	280 × 240 × 140
35 × 25	35.5	25.5	≈ 33	126	280 × 240 × 140

Revision 07-Jun-06

NOTICE Specifications of the products displayed herein are subject to change without notice. Vishay Intertechnology, Inc. or anyone on its behalf, assumes no responsibility or liability for any errors or inaccuracies. Information contained herein is intended to provide a product description only. No license, express or implied, by estoppel or otherwise, to any intellectual property rights is granted by this document. Except as provided in Vishay's terms and conditions of sale for such products, Vishay assumes no liability whatsoever and disclaims any express or implied warranty, relating to sale and/or use of Vishay products including liability or warranties relating to fitness for a particular purpose, merchantability, or infringement of any patent, copyright, or other intellectual property right. The products shown herein are not designed for use in medical, life-saving, or life-sustaining applications. Customers using or selling these products for use in such applications do so at their own risk and agree to fully indemnify Vishay for any damages resulting from such improper use or sale.

For technical questions, contact aluminumcaps2@vishay.com