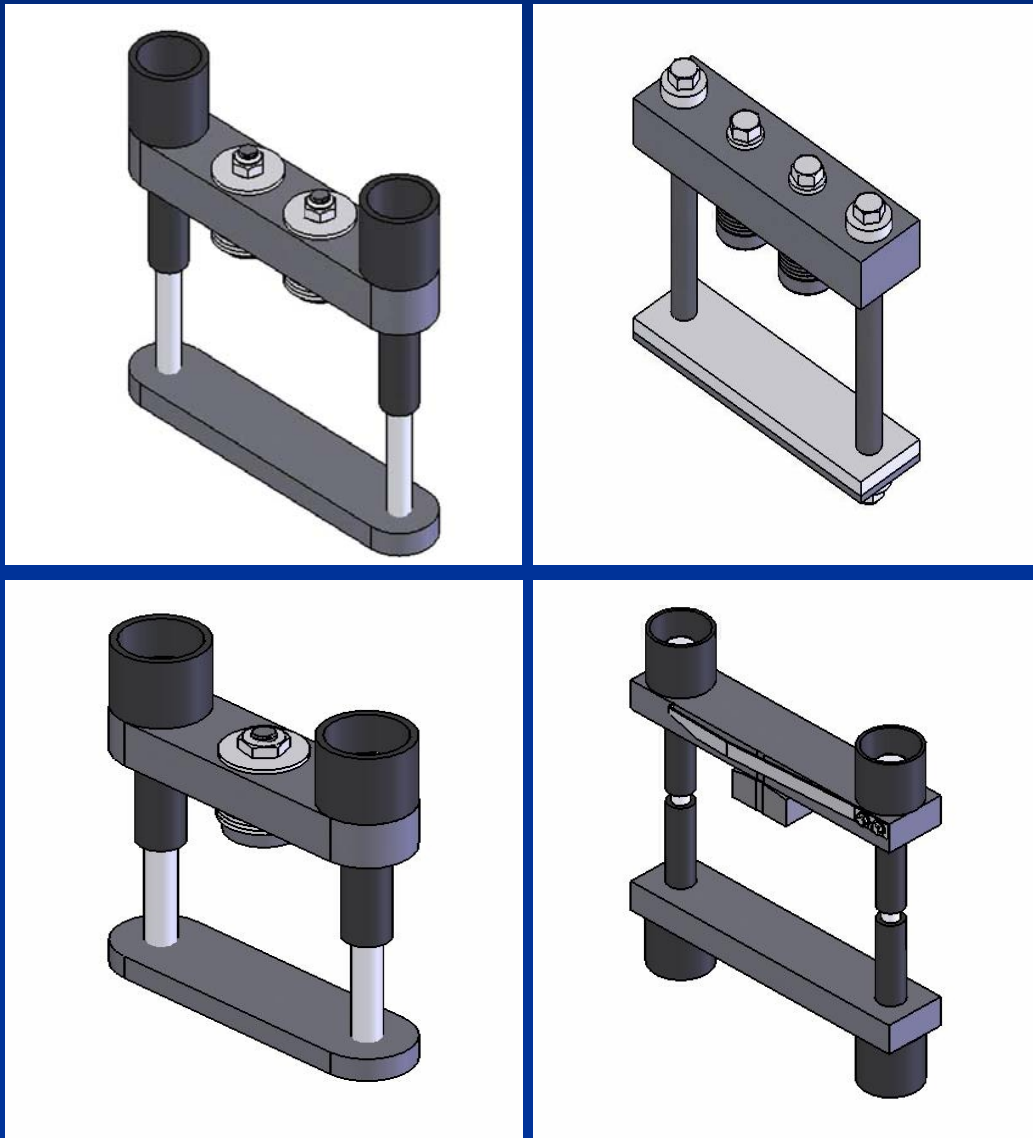




# GYa JWebXi Vmf'7`Ua dg



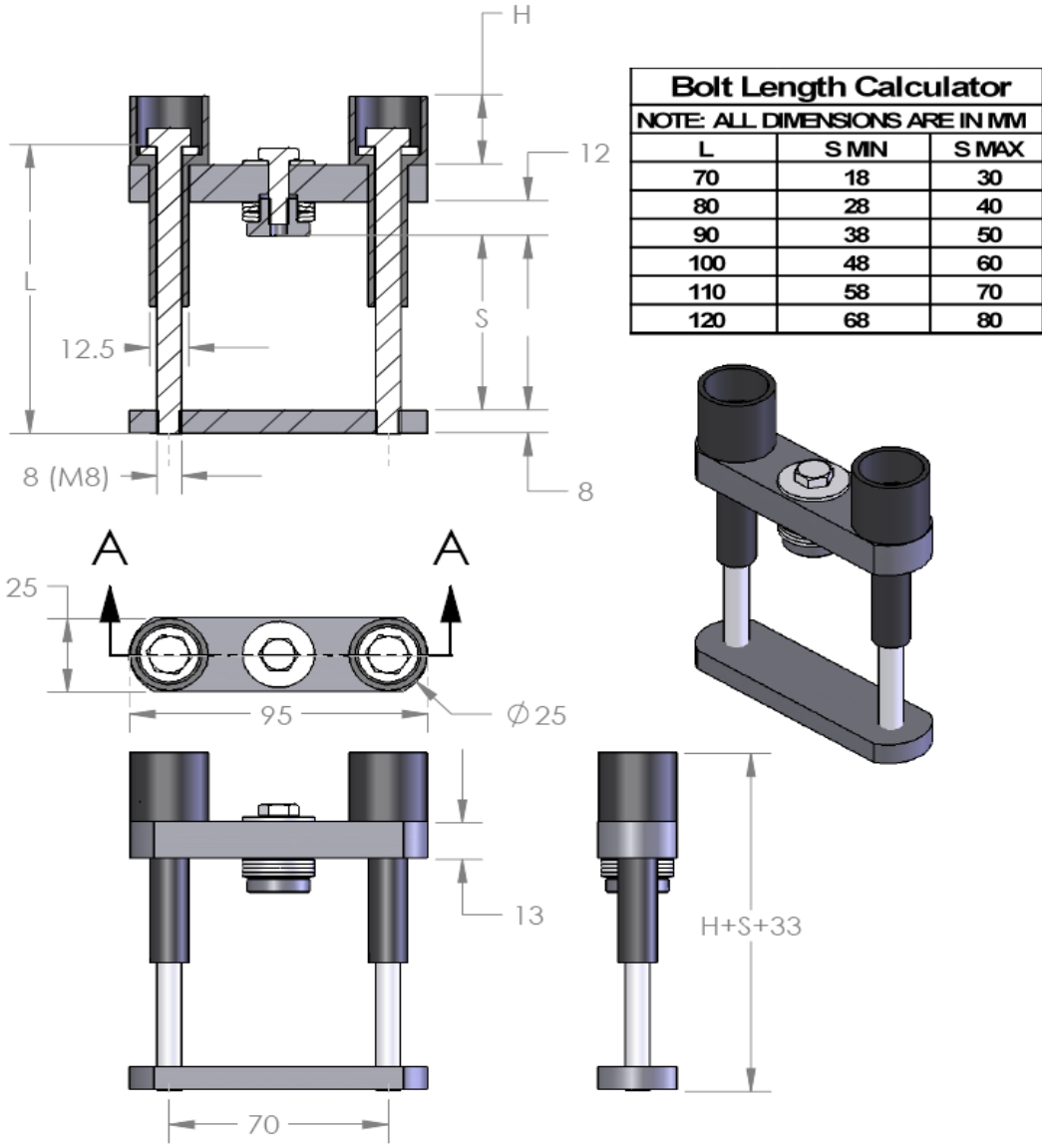
*For Disc (Puk) Semiconductors  
19mm to 100mm pole diameter*

[www.chtechnology.com](http://www.chtechnology.com)

800-274-4284

**C070D KNS Bar Clamps**  
WITH PRECALIBRATED FORCE  
BOLT INTERAXYS – 70 MM  
PRESET PRESSURES 5, 9.8 KN  
MAXIMUM PUK DIAMETER – 56MM

Note: Bolt insulator dimension “H” available in either 24mm or 14mm height.



ORDERING INFORMATION EXAMPLE: C70D-5KNS-90

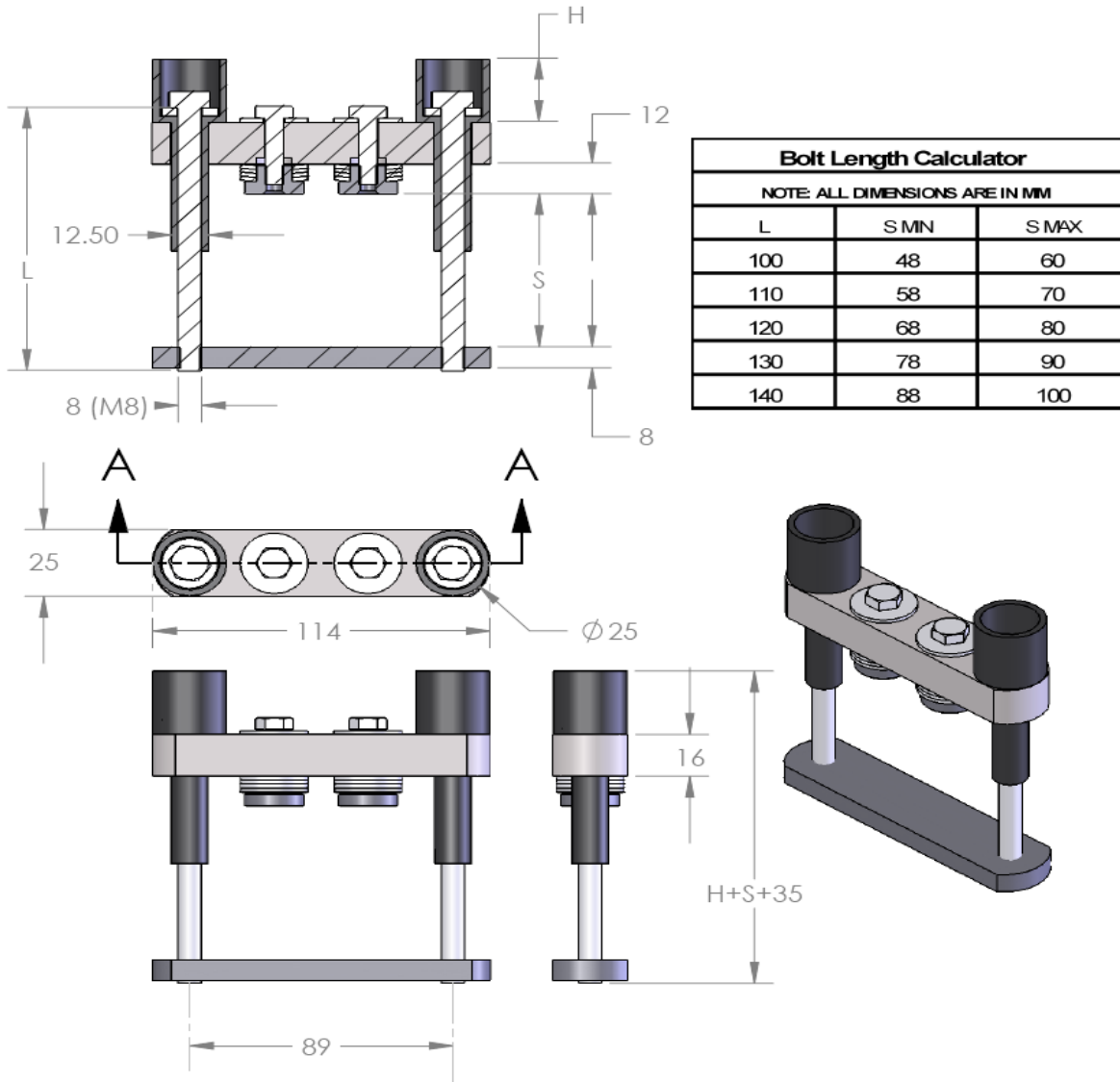
CLAMP MODEL      ↑      BOLT LENGTH= 90MM

PRECALIBRATED CLAMPING FORCE = 5KN      ↑      Note: Additional bolt lengths available



**C089D KNS Bar Clamps**  
WITH PRECALIBRATED FORCE  
BOLT INTERAXYS – 89 MM  
PRESET PRESSURES 14, 18, 21 KN  
MAXIMUM PUK DIAMETER – 76MM

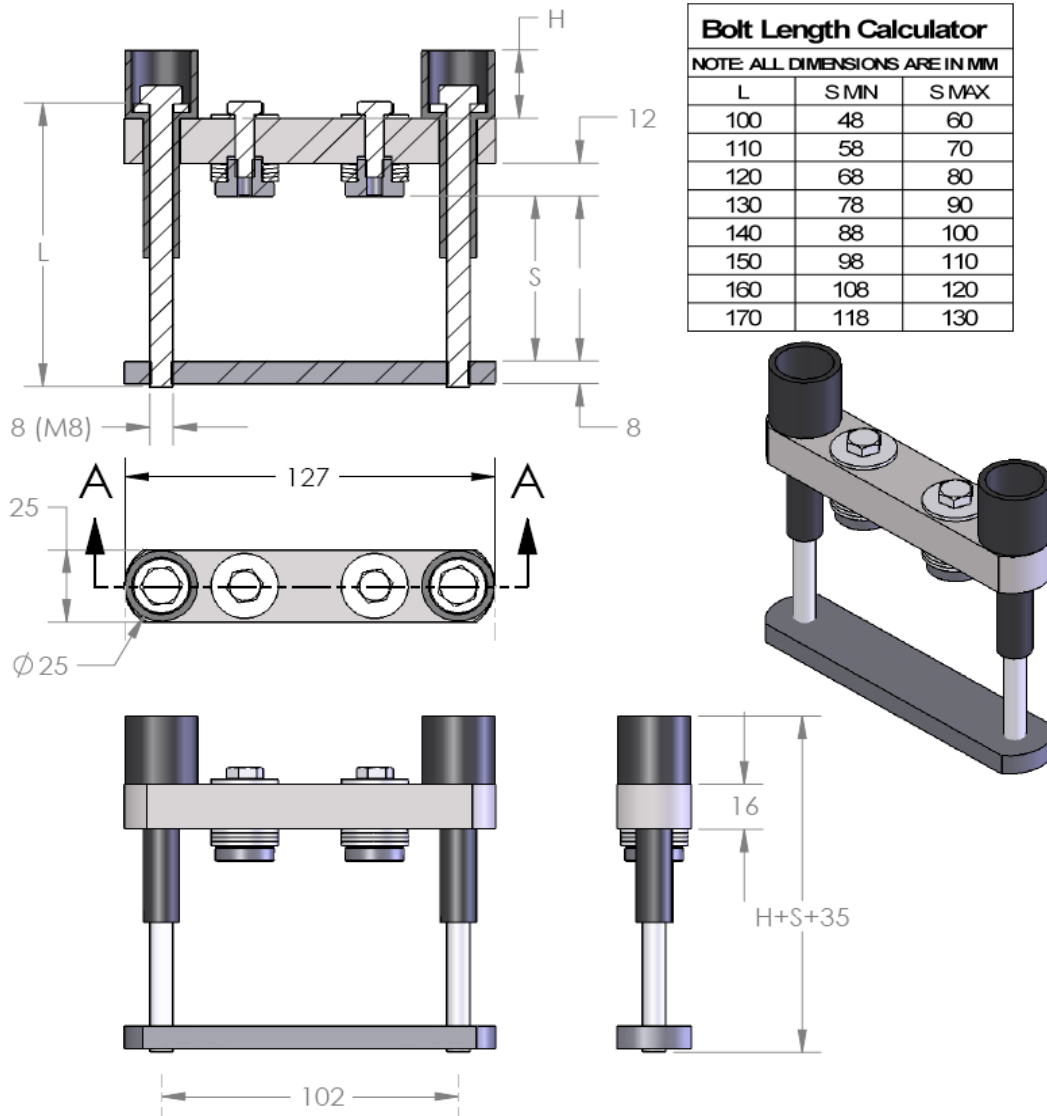
Note: Bolt insulator dimension “H” available in either 24mm or 14mm height.



ORDERING INFORMATION EXAMPLE: C089D-18KNS-110  
 CLAMP MODEL ————  
 PRECALIBRATED CLAMPING FORCE = 18KN ————  
 BOLT LENGTH= 110MM  
 Note: Additional bolt lengths available

**C102B KNS Bar Clamps**  
WITH PRECALIBRATED FORCE  
BOLT INTERAXYS – 102 MM  
PRESET PRESSURES 14, 18, 22, 24 KN  
MAXIMUM PUK DIAMETER – 88MM

Note: Bolt insulator dimension “H” available in either 24mm or 14mm height.

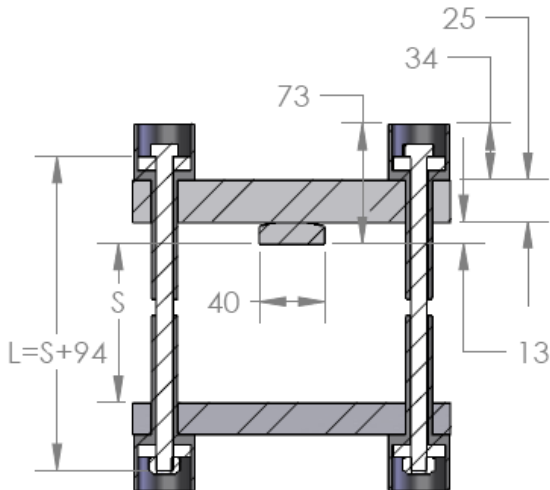


ORDERING INFORMATION EXAMPLE: C102B-22KNS-110

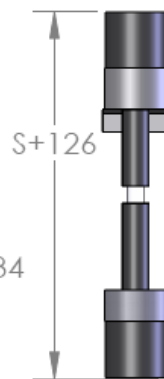
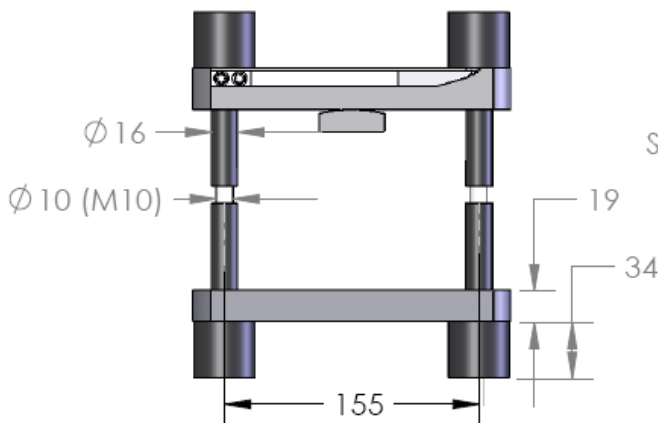
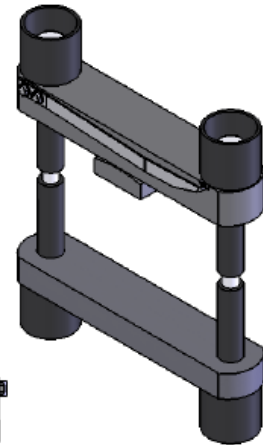
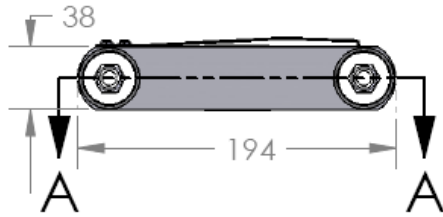
CLAMP MODEL ↑ ↑ BOLT LENGTH= 110MM  
 PRECALIBRATED CLAMPING FORCE = 22KN ↑ ↑ Note: Additional Bolt Lengths Available



**C155A-KNS Bar Clamps**  
WITH PRECALIBRATED FORCE  
BOLT INTERAXYS – 155 MM  
PRESET PRESSURES 45, 55 KN  
MAXIMUM PUK DIAMETER – 138MM



Bolt Length Calculator		
NOTE: ALL DIMENSIONS ARE IN MM		
L	S MN	S MAX
160	52	66
170	62	76
180	72	86
190	82	96
200	92	106
210	102	116
220	112	126

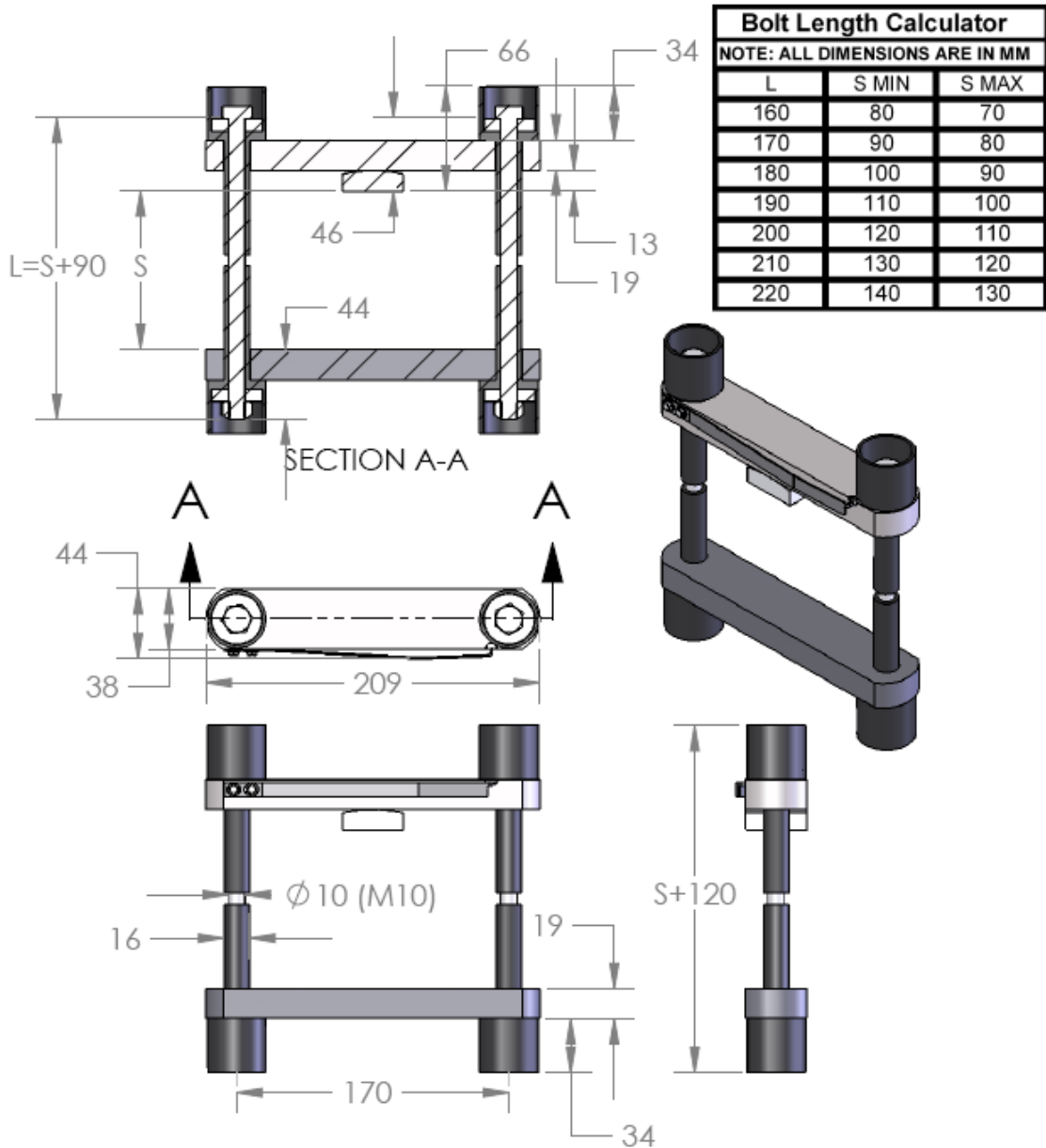


ORDERING INFORMATION EXAMPLE: C155A-45KNS-200

CLAMP MODEL ↑ ↑ BOLT LENGTH= 200MM

PRECALIBRATED CLAMPING FORCE = 45KN ↑ Note: Additional Bolt Lengths Available

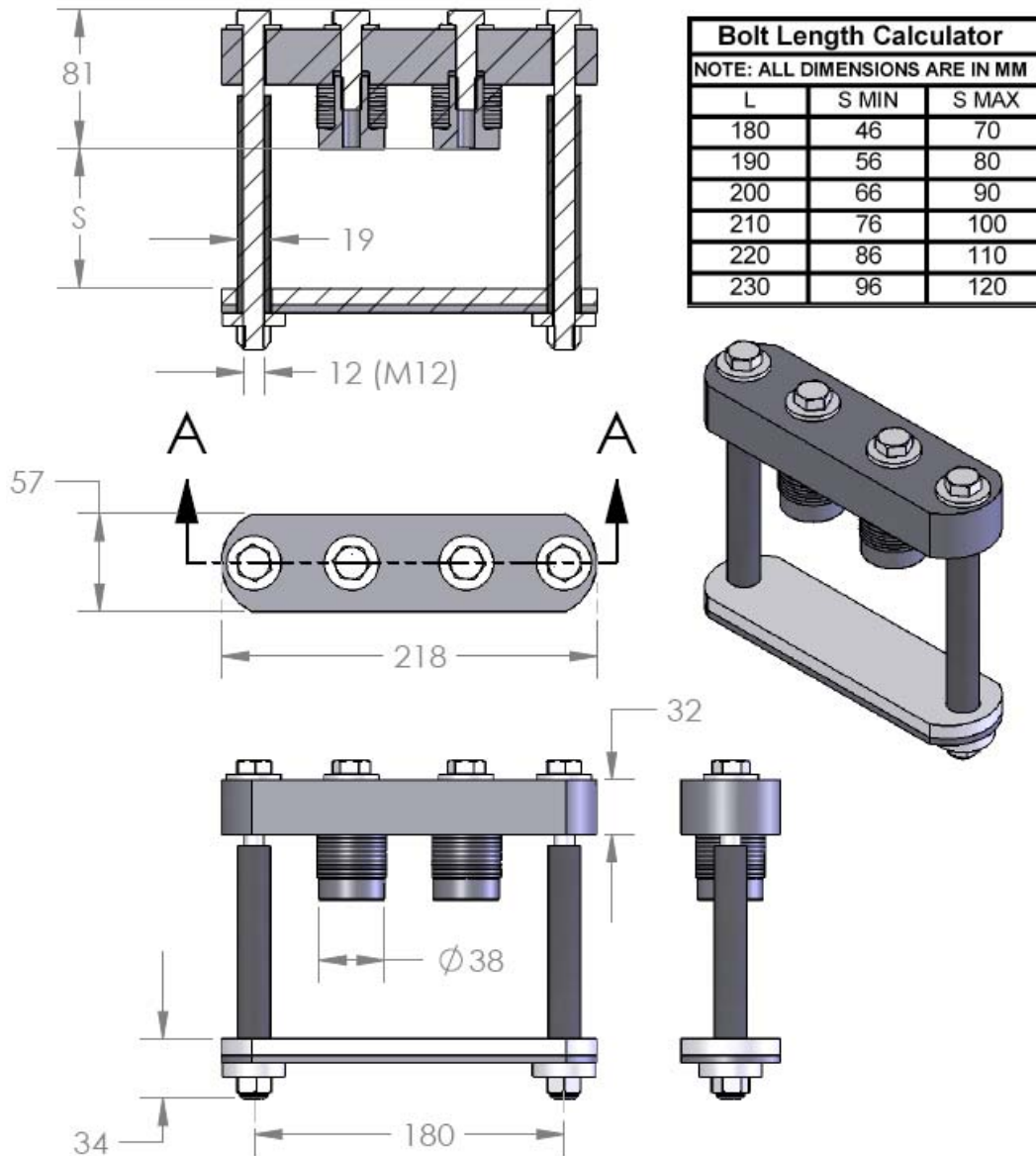
**C170A-KNS Bar Clamps**  
WITH PRECALIBRATED FORCE  
BOLT INTERAXYS – 170 MM  
PRESET PRESSURES 45, 55 KN  
MAXIMUM PUK DIAMETER – 150MM



ORDERING INFORMATION EXAMPLE: C170A-45KNS-200

CLAMP MODEL  $\uparrow$   $\uparrow$  BOLT LENGTH= 200MM  
 PRECALIBRATED CLAMPING FORCE = 45KN  $\uparrow$  Note: Additional Bolt Lengths Available

**4292 KNS Bar Clamps**  
WITH PRECALIBRATED FORCE  
BOLT INTERAXYS – 180 MM  
PRESET PRESSURES 80KN AND 95KN  
MAXIMUM PUK DIAMETER – 150MM



ORDERING INFORMATION EXAMPLE: 4292-95KNS-210

CLAMP MODEL \_\_\_\_\_ ↑

PRECALIBRATED CLAMPING FORCE = 95KN \_\_\_\_\_ ↑

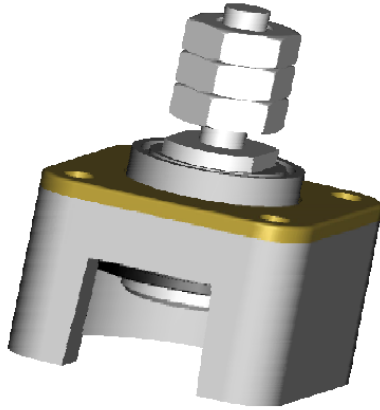
BOLT LENGTH= 210MM \_\_\_\_\_ ↑

Note: Additional Bolt Lengths Available

6121 Baker Road,  
Suite 108  
Minnetonka, MN 55345



Phone (952) 933-6190  
Fax (952) 933-6223  
1-800-274-4284

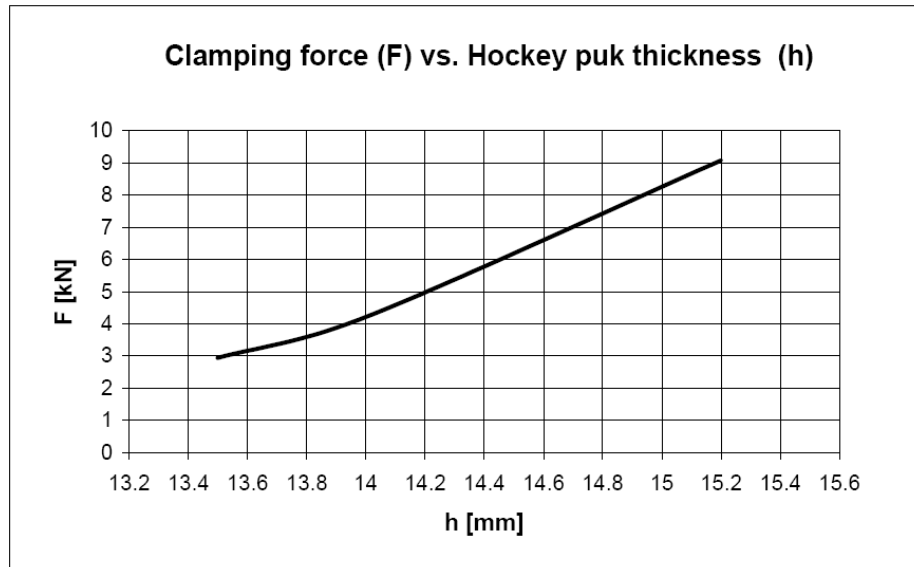


## BOX CLAMPS

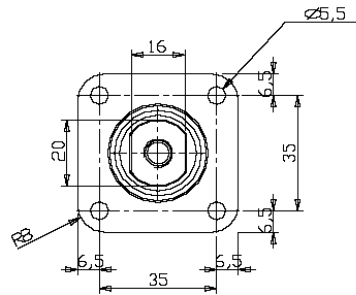
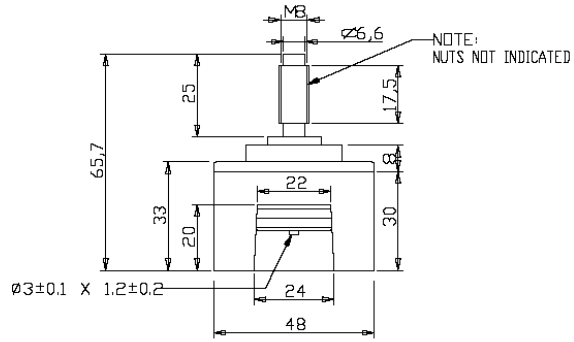
**BOX CLAMP FOR HOCKEY PUKS**  
DO-200 AA, B-3, TO-200AB (A AND E TYPE)

User friendly assembly  
UL 94V0 Plastic material  
M8 or M10 upper threads or threaded holes  
Rugged construction  
Self adapting to the above industry standard puks.

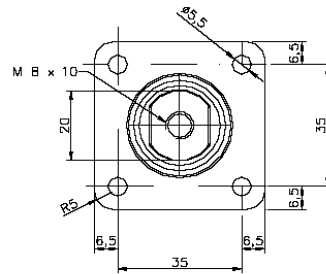
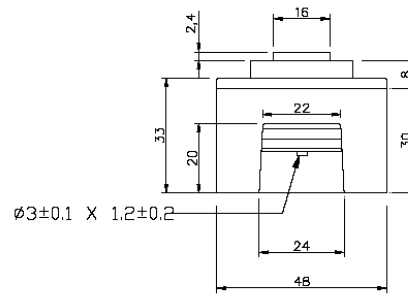
	SBVR-M8	SBVR-M10	SBMR-M8	SBMR-M10
<b>Characteristic</b>	<b>Value</b>	<b>Value</b>	<b>Value</b>	<b>Value</b>
Upper threaded connection	M8	M10		
Threaded hole x depth [mm]			M8 x 10	M10 x 12
Plastic body colour	Grey	Grey	Grey	Grey
Max Operating temperature	90 °C	90 °C	90 °C	90 °C
Allowed semiconductor diameter - max	42 mm	42 mm	42 mm	42 mm
Mass - without nuts and bolts	200 g	220 g	190 g	210 g



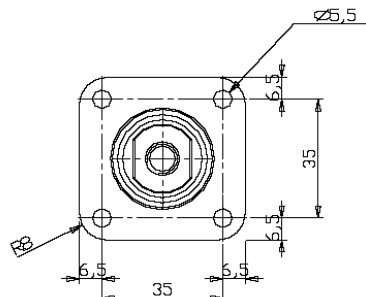
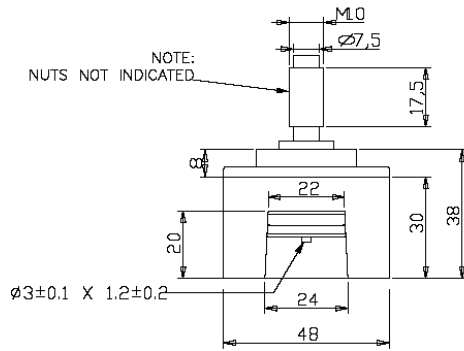
### SBVR-M8



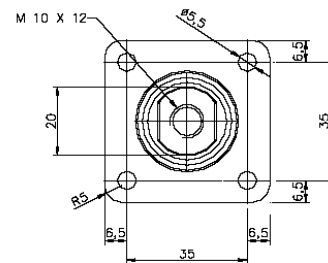
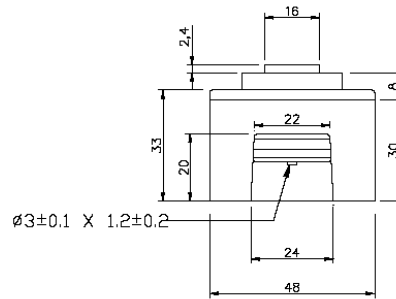
### SBMR-M8



### SBVR-M10



### SBMR-M10



Dimensions in mm - Tolerances according to ISO 2768MK