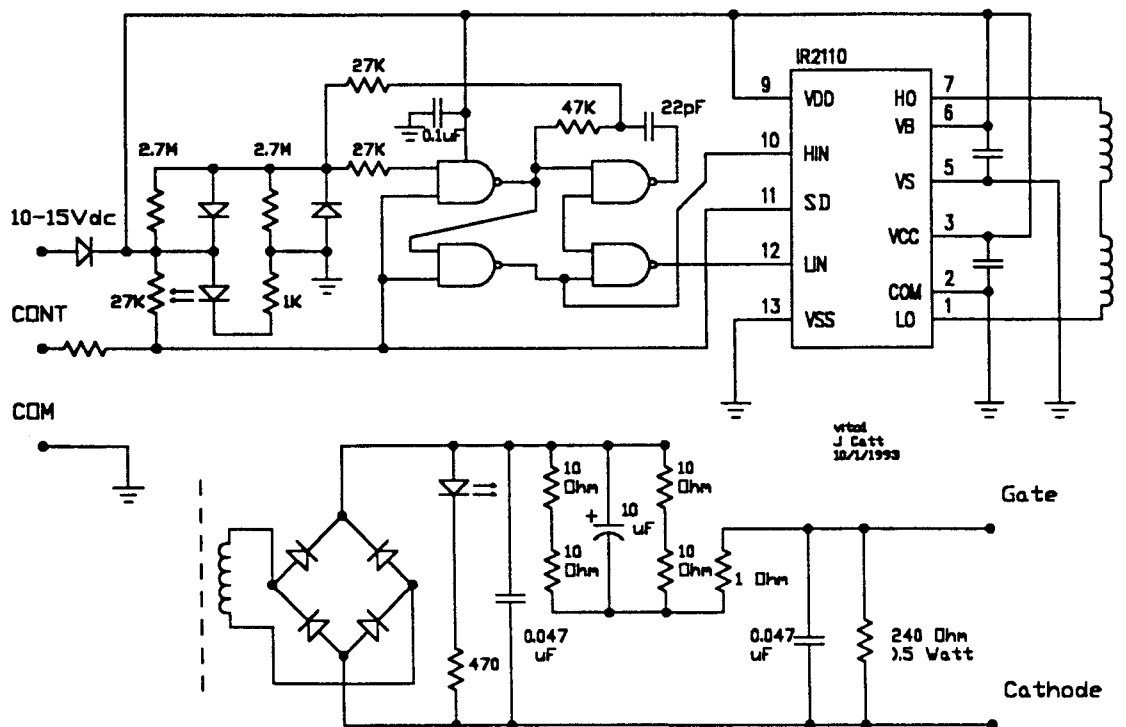


Isolated SCR Gate Drive Circuit

by Vito Rinaldi



Features:

Simple Components, Galvanic Isolation, Strong Drive Signal.

Benefits:

Inexpensive, Compact Layout, Status Indication.

Further Details:

International Rectifier Applications Engineering (El Segundo, California, USA).