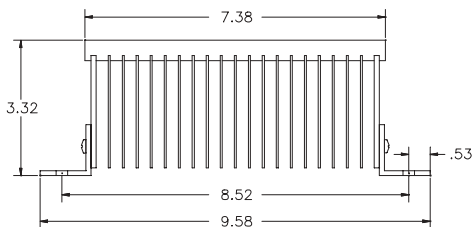
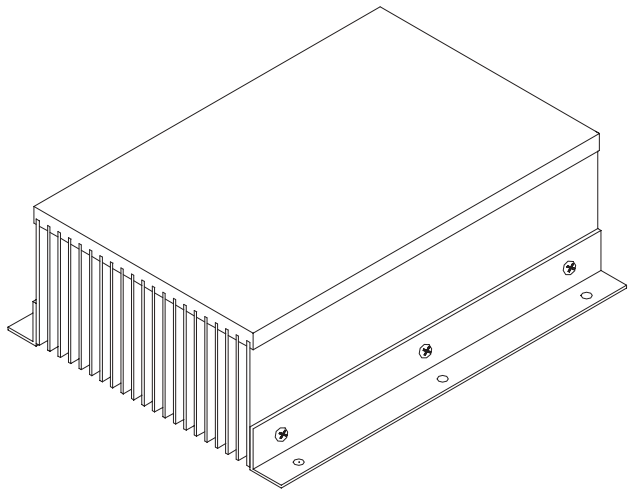
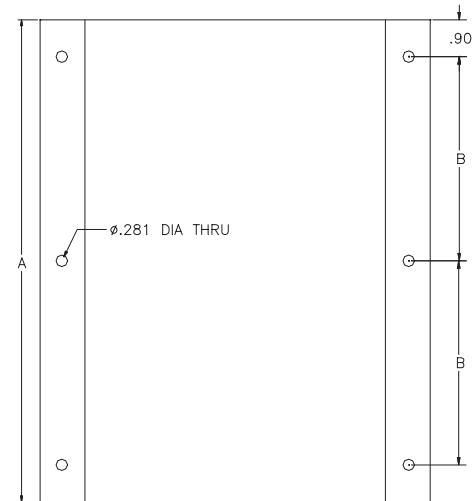


STANDARD SIZE BONDED FIN HEAT SINKS

NATURAL CONVECTION MODELS

Ideal for applications where forced air-cooling isn't an option. Heat sink size can be reduced up to 50% over comparable extruded type heat sinks while maintaining the same semiconductor temperature. Custom designs available.



NATURAL CONVECTION SPECIFICATIONS

MODEL #	CH5111	CH5112	CH5113	CH5114
Dimension A	7.0"	11.81"	7.0"	11.81"
Dimension B	2.5"	5.0"	2.5"	5.0"
Flanges	None	None	1" Wide	1" Wide
Thermal Resistance	0.30 °C/W	0.22 °C/W	0.30 °C/W	0.22 °C/W

Information printed in this section has been developed by dimensioning for general applications. C&H Technology is prepared to give assistance on all Engineered Heat Sinks by utilizing computer software designed specifically for this type of Heat Sink.