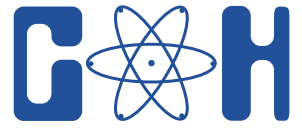


Box Clamp



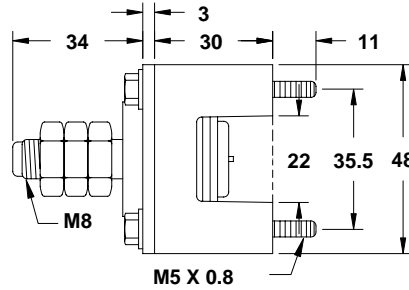
Specialists In Power Electronic Components And Assemblies

C&H Technology Inc.

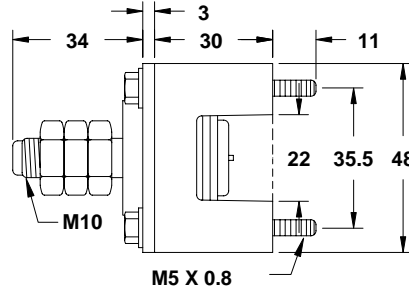
BOX CLAMP CAN ACCOMMODATE
UP TO 42MM DIAMETER
DO-200AA, TO-200AB (A-PUK)
B43, TO-200AB (E-PUK)

NOTE: ALL DIMENSIONS ARE IN MM

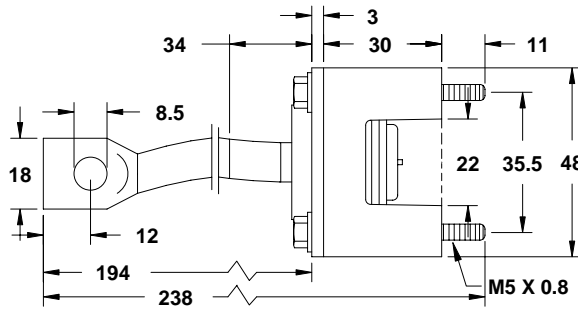
PART NO.
SBVR-M8



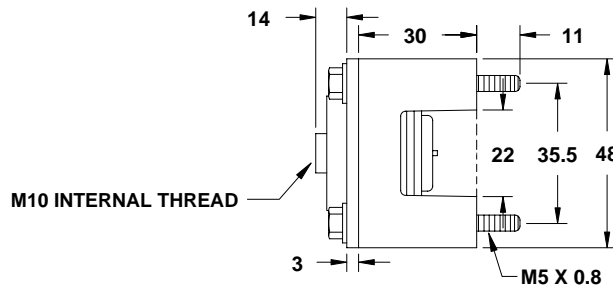
PART NO.
SBVR-M10



PART NO.
SBTR



PART NO.
SBMR



PART NO.
SBBR

