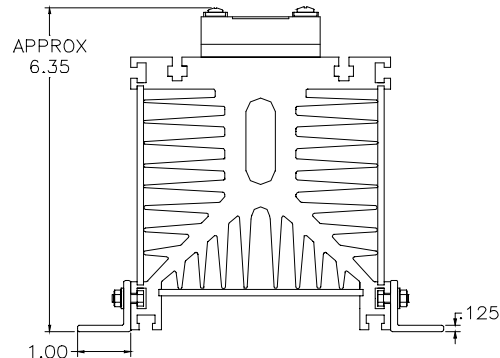
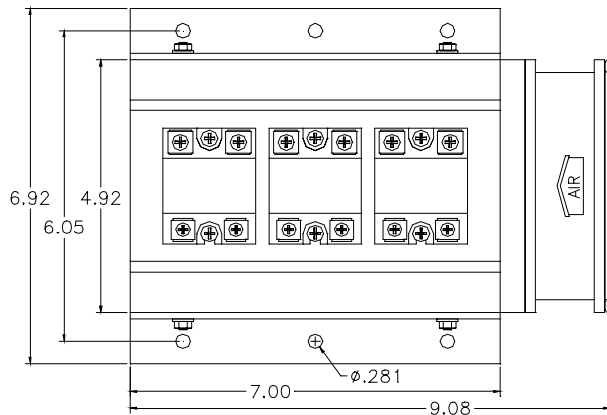




(800) 274-4284  
 6121 Baker Rd, Suite 108  
 Minnetonka, MN 55345  
[www.chtechnology.com](http://www.chtechnology.com)

## Three Phase, 50, 75, 100A Panel Mount Solid State Relay Assembly

- Zero or Random Crossing
- Input Voltages: 90-280 VAC, 3-32 VDC
- Overvoltage and Transient Protection
- Output Voltages: 24-280 VAC, 48-660 VAC
- .14° C/W Heat Sink Thermal Resistance



Part Number	Input Range	Output Range	Load Current at Ambient		
			45-60C	70C	80C
CHASS3R50F24-90...	90-280 VAC	24-280 VAC	50A	45A	40A
CHASS3R50F24-3...	3-32 VDC	24-280 VAC	50A	45A	40A
CHASS3R50F48-90...	90-280 VAC	48-660 VAC	50A	45A	40A
CHASS3R50F48-3...	3-32 VDC	48-660 VAC	50A	45A	40A
CHASS3R75F24-90...	90-280 VAC	24-280 VAC	75A	65A	55A
CHASS3R75F24-3...	3-32 VDC	24-280 VAC	75A	65A	55A
CHASS3R75F48-90...	90-280 VAC	48-660 VAC	75A	65A	55A
CHASS3R75F48-3...	3-32 VDC	48-660 VAC	75A	65A	55A
CHASS3R100F24-90...	90-280 VAC	24-280 VAC	100A	70A	55A
CHASS3R100F24-3...	3-32 VDC	24-280 VAC	100A	70A	55A
CHASS3R100F48-90...	90-280 VAC	48-660 VAC	100A	70A	55A
CHASS3R100FN48-3...	3-32 VDC	48-660 VAC	100A	70A	55A

Note: Add the letter "Z" at the end of the part number to indicate zero crossing or "R" for random. Random SSR's are available with a 3-32 VDC input only.