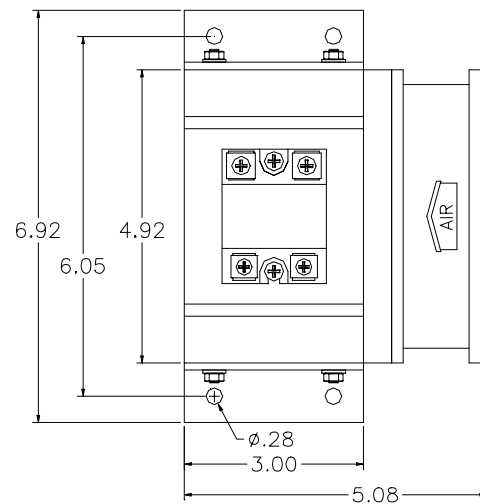
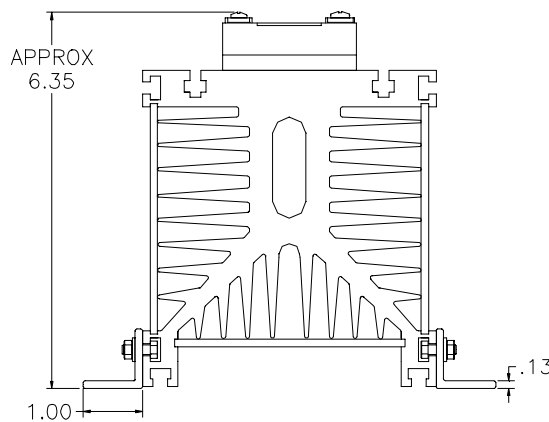


Single Phase, 100A, 125A Panel Mount Solid State Relay Assembly

- Zero or Random Crossing
- Input Voltages: 90-280 VAC, 3-32 VDC
- Overvoltage and Transient Protection
- Output Voltages: 24-280 VAC, 48-660 VAC
- .22 °C/W Heat Sink Thermal Resistance



Part Number	Input Range	Output Range	Load Current at Ambient		
			45C	60C	70C
CHASSR100F24-90...	90-280 VAC	24-280 VAC	100A	90A	75A
CHASSR100F24-3...	3-32 VDC	24-280 VAC	100A	90A	75A
CHASSR100F48-90...	90-280 VAC	48-660 VAC	100A	90A	75A
CHASSR100F48-3...	3-32 VDC	48-660 VAC	100A	90A	75A
CHASSR125F24-90...	90-280 VAC	24-280 VAC	125A	112A	90A
CHASSR125F24-3...	3-32 VDC	24-280 VAC	125A	112A	90A
CHASSR125F48-90...	90-280 VAC	48-660 VAC	125A	112A	90A
CHASSR125F48-3...	3-32 VDC	48-660 VAC	125A	112A	90A

Note: Add the letter "Z" at the end of the part number to indicate zero crossing or "R" for random. Random SSR's are available with a 3-32 VDC input only.