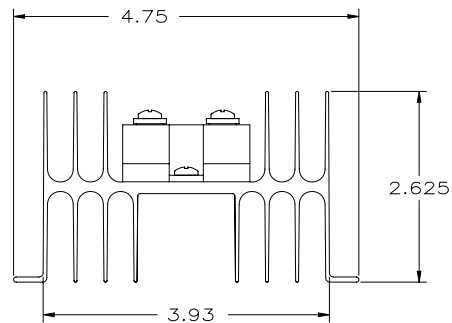
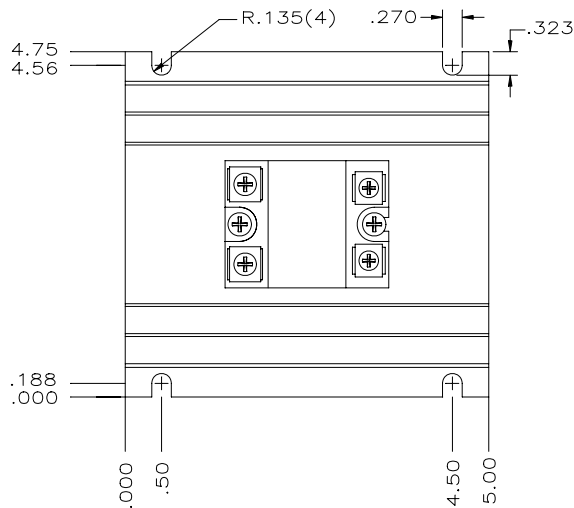
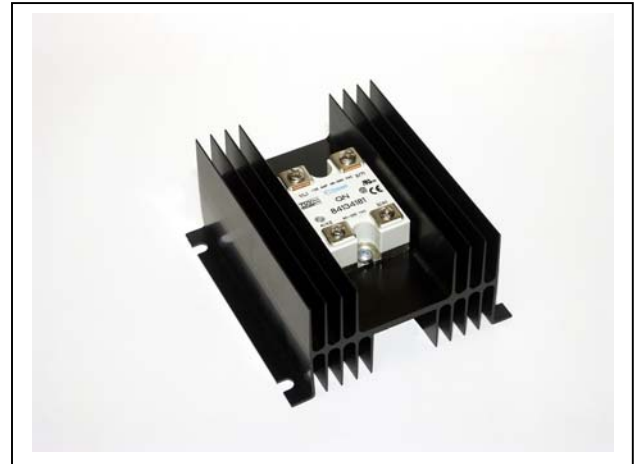


Single Phase, 15-25A Panel Mount Solid State Relay Assembly

- Zero or Random Crossing
- Input Voltages: 90-280 VAC, 3-32 VDC
- Overvoltage and Transient Protection
- Output Voltages: 24-280 VAC, 48-660 VAC
- 1.5 °C/W Heat Sink Thermal Resistance



Part Number	Input Range	Output Range	Load Current at Ambient		
			45-50C	65C	80C
CHASSR25N24-90...	90-280 VAC	24-280 VAC	25A	20A	15A
CHASSR25N24-3...	3-32 VDC	24-280 VAC	25A	20A	15A
CHASSR25N48-90...	90-280 VAC	48-660 VAC	25A	20A	15A
CHASSR25N48-3...	3-32 VDC	48-660 VAC	25A	20A	15A

Note: Add the letter “Z” at the end of the part number to indicate zero crossing or “R” for random. Random SSR’s are available with a 3-32 VDC input only.