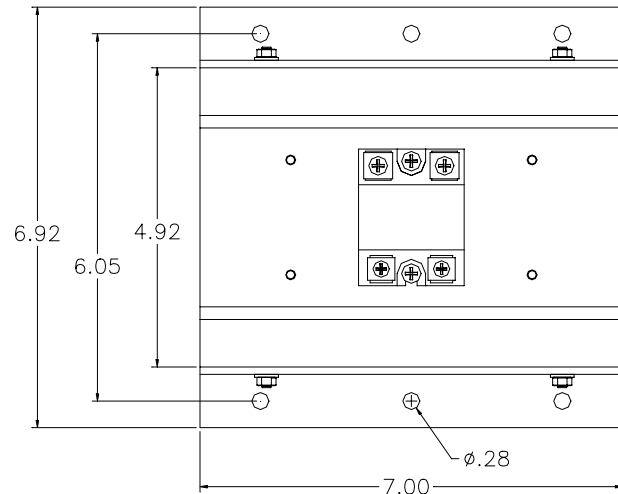
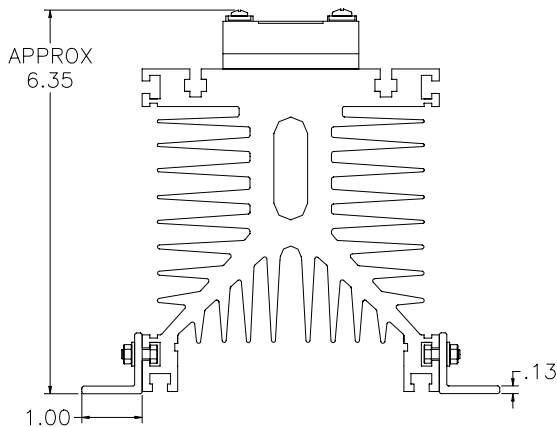
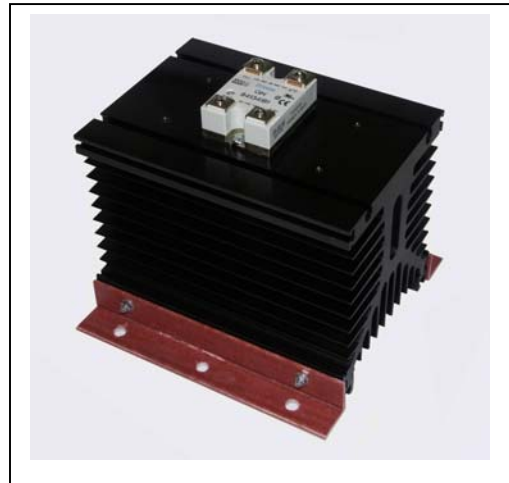


Single Phase, 75A Panel Mount Solid State Relay Assembly

- Zero or Random Crossing
- Input Voltages: 90-280 VAC, 3-32 VDC
- Overvoltage and Transient Protection
- Output Voltages: 24-280 VAC, 48-660 VAC
- .6 °C/W Heat Sink Thermal Resistance



| Part Number | Input Range | Output Range | Load Current at Ambient | | |
|-------------------|-------------|--------------|-------------------------|-----|-----|
| | | | 40C | 55C | 65C |
| CHASSR75N24-90... | 90-280 VAC | 24-280 VAC | 75A | 60A | 55A |
| CHASSR75N24-3... | 3-32 VDC | 24-280 VAC | 75A | 60A | 55A |
| CHASSR75N48-90... | 90-280 VAC | 48-660 VAC | 75A | 60A | 55A |
| CHASSR75N48-3... | 3-32 VDC | 48-660 VAC | 75A | 60A | 55A |

Note: Add the letter "Z" at the end of the part number to indicate zero crossing or "R" for random. Random SSR's are available with a 3-32 VDC input only.